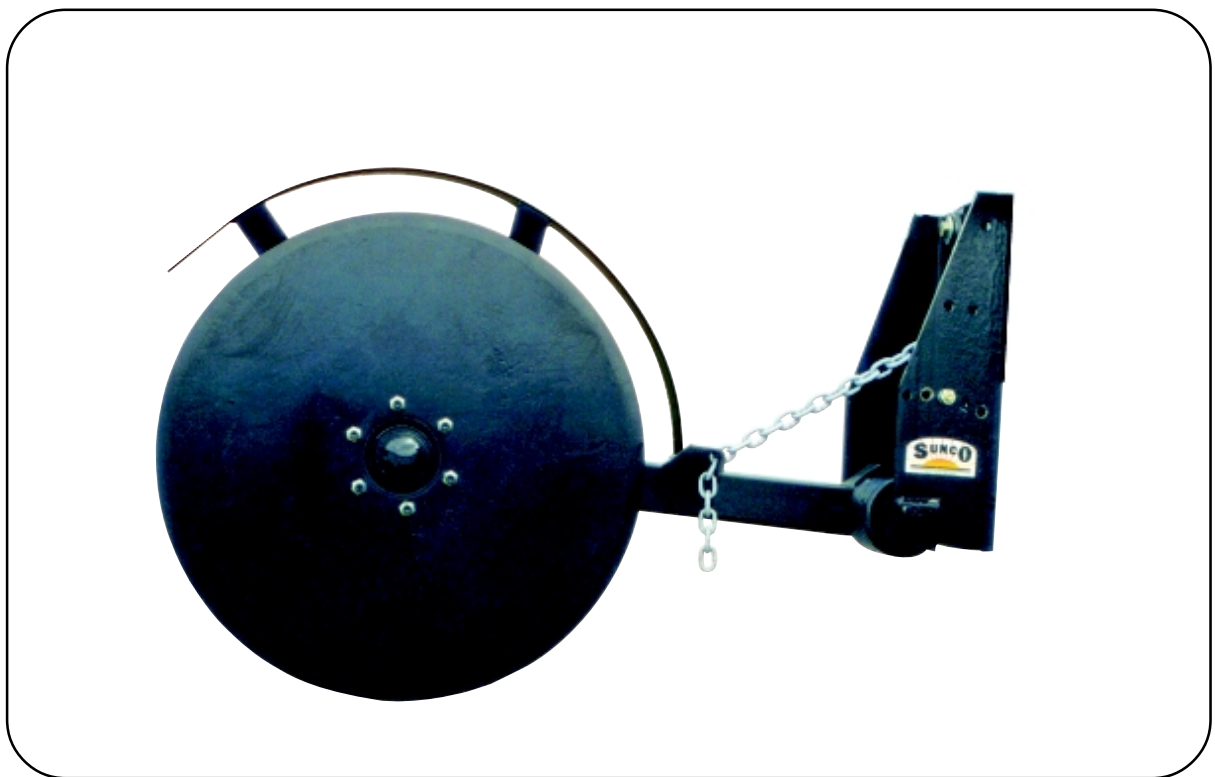


SUNCO IMPLEMENT STABILIZER

OPERATOR'S MANUAL

WITH INSTALLATION INSTRUCTIONS



Turning Design Into Quality

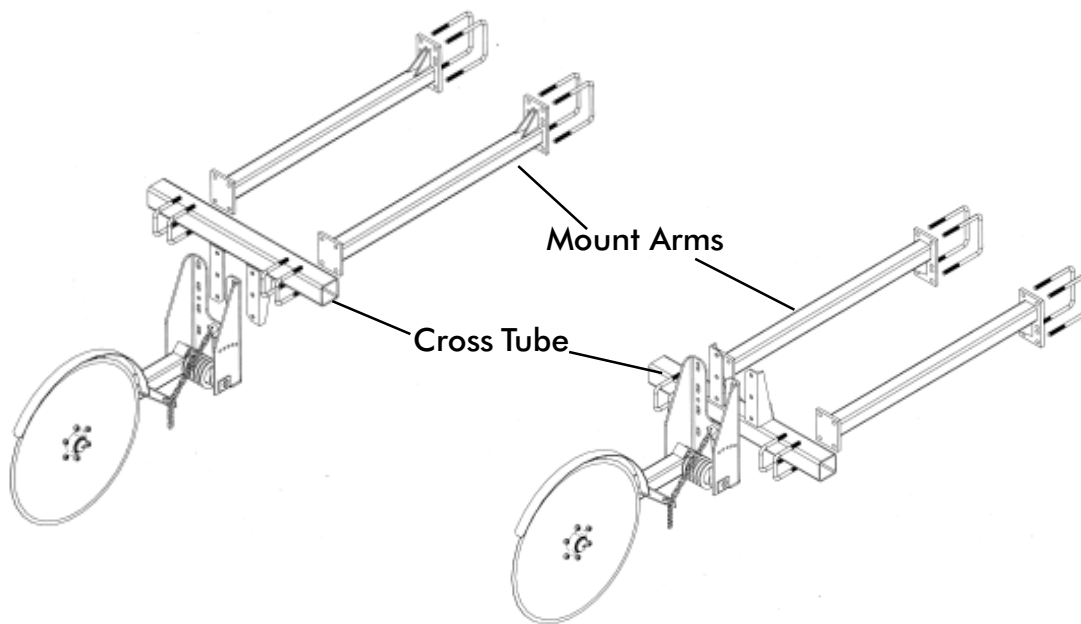
To determine what you need for mounting the stabilizer to a toolbar several things need to be considered.

1. Will the Stabilizer be operating **behind** the row units? i.e. cultivators.
 - a. How far does the row unit extend behind the toolbar - to determine the length of the mount arms
 - b. Dimensions of the toolbar i.e. 7 x 7, 5 x 7, etc. - to determine which bolt package
 - c. Row width - to determine the length of the cross tube
2. Will the Stabilizer be operating **between** the row units? i.e. planters and bedders.
 - a. Can the Stabilizer be bolted directly to the toolbar? Dimensions of the toolbar i.e. 7 x 7, 5 x 7, etc. - order proper U-bolts
 - b. Does something interfere with bolting directly to the toolbar? i.e. driveshaft on some planters - order planter mount arm (includes hardware)
3. How many Stabilizers are required for the implement?
Rule of thumb - 1 Stabilizer per 15' to 20' of toolbar length

There are exceptions to this rule. Heavy implements such as potato planters may require 1 Stabilizer per 2 rows. Also bedders operating in very firm soil may require 1 Stabilizer per 10' to 12' of toolbar length.

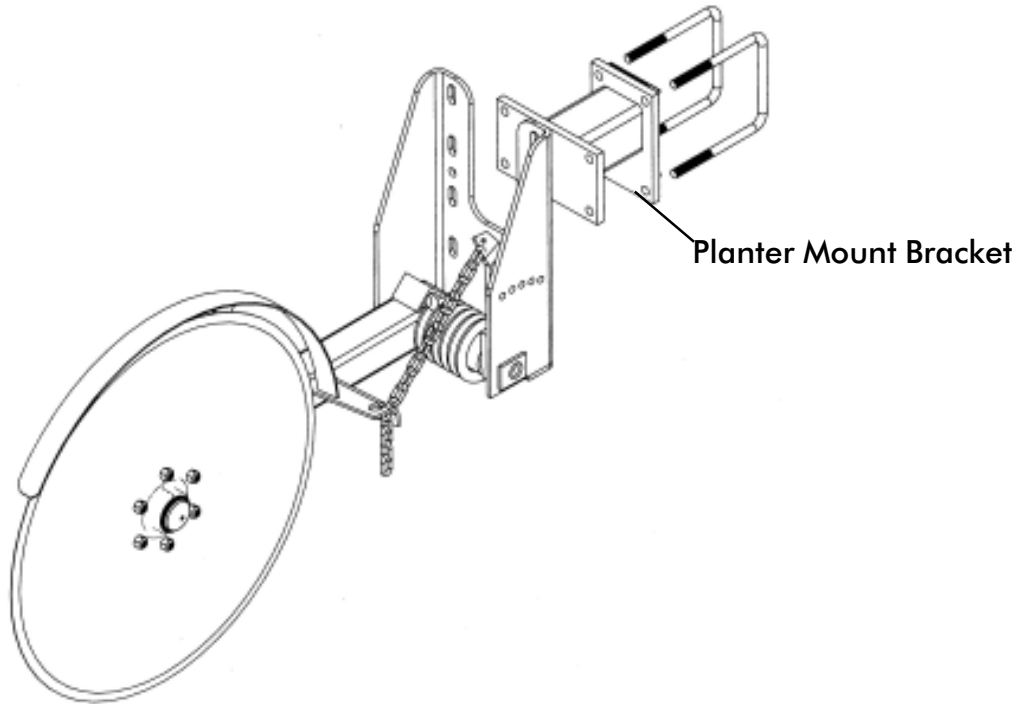
Soil type and terrain also must be considered - light soils - steeper slopes - require more stabilization

MOUNTING STABILIZER BEHIND ROW UNITS

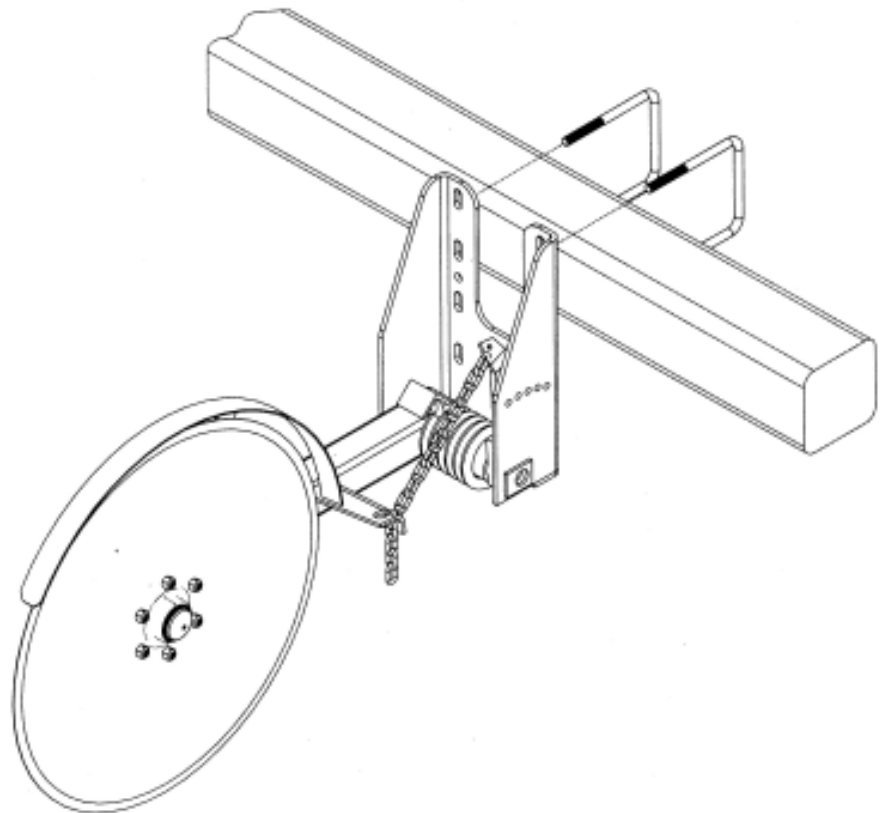


***** NOTE:** Mount Arms and Cross Tube can be mounted different ways to adjust for toolbar height.

MOUNTING STABILIZER BETWEEN ROW UNITS



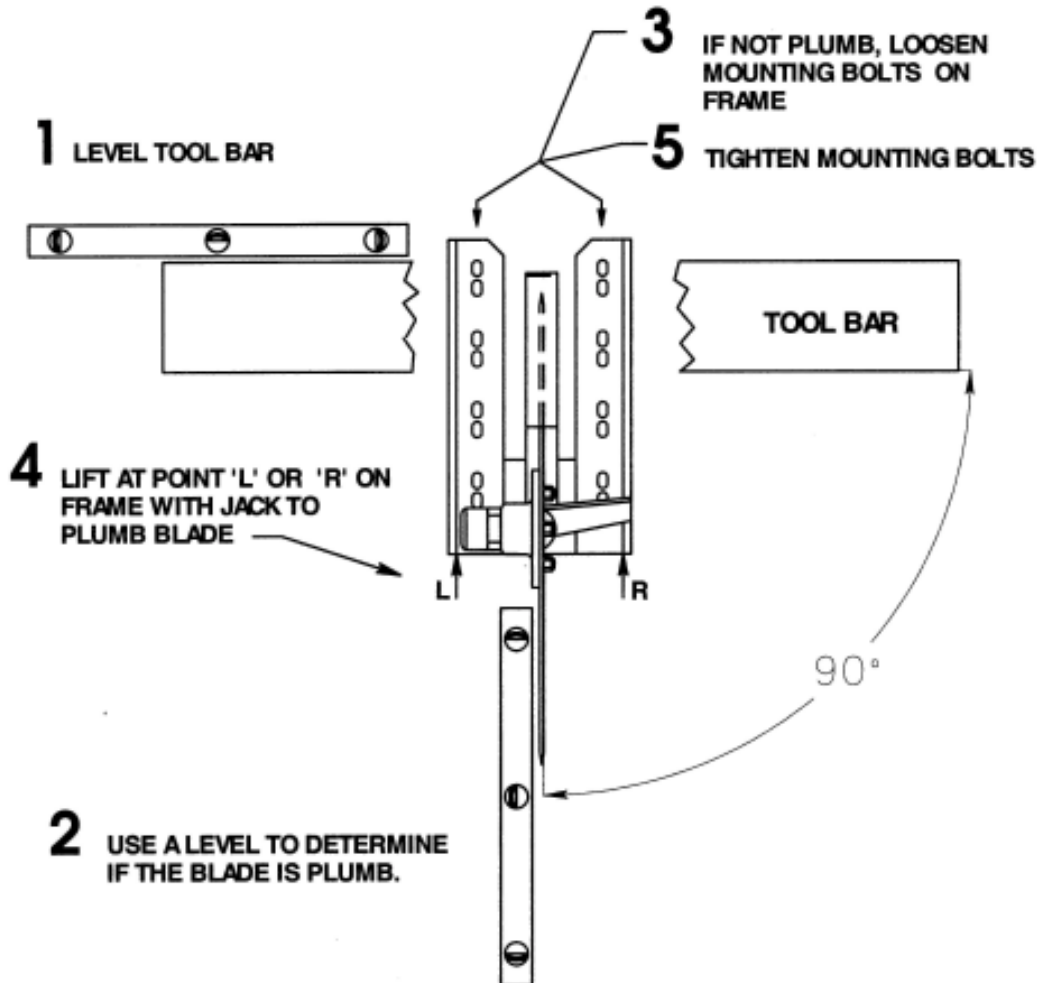
Mounting to toolbar using planter mount bracket



Mounting directly to toolbar. Slotted holes will accommodate 4", 5", 6" or 7" toolbars.

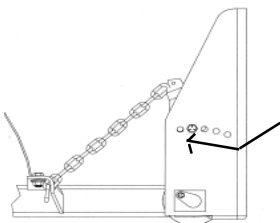
MOUNTING INSTRUCTIONS FOR THE SUNCO STABILIZER

THE STABILIZER MUST BE INSTALLED SO THAT THE STABILIZER BLADE IS PERPENDICULAR (90°) TO THE TOOL BAR



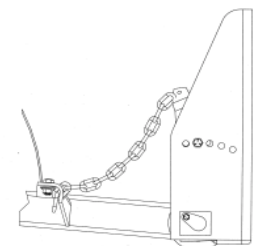
Before performing adjustments, lift implement so blade is off ground

POST MOUNTING DEPTH ADJUSTMENT



1. Leave chain hooked.
2. Remove bolt.
3. Rotate arm with chain in direction of arrow to set deeper.
4. Replace bolt & tighten securely.

Proper Stabilizer depth is achieved when chain is showing some slack with the implement at working depth in the field.



STABILIZERS AND STABILIZER OPTIONS



601363/601364

601363 SUNCO STABILIZER ASSEMBLY (less mount brackets and no mounting hardware)

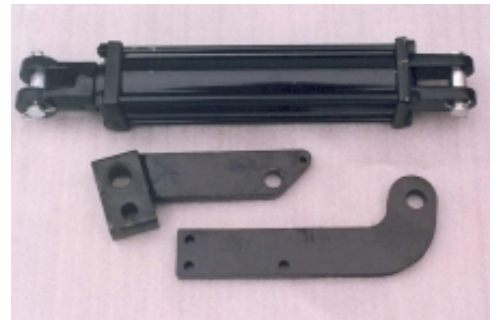
Coil spring protection with 28" blade and heavy duty 6 bolt hub.

601364 SUNCO STABILIZER ASSEMBLY (less mount brackets and no mounting hardware)

Same as #601363, except supplied with 29" blade instead of 28".

660120 SUNCO STABILIZER HYDRAULIC LIFT KIT

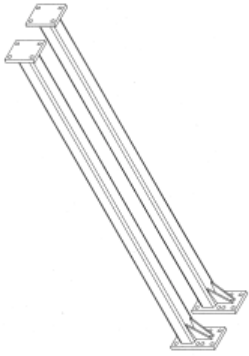
Includes cylinder, brackets and hardware.
No hoses.



660120



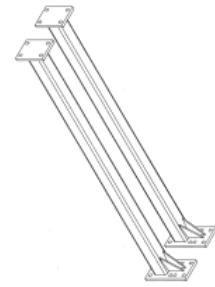
**OPTIONAL EQUIPMENT (WHOLEGOODS)
STABILIZERS AND STABILIZER OPTIONS**



601354

**72" STABILIZER MOUNT ARMS
for 5x7, 7x7, 4x4, 4x7 tool bars**

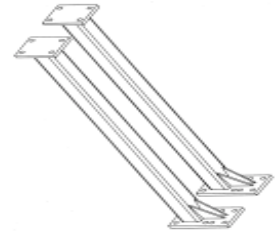
Sets stabilizer assembly 72" from tool bar. Requires cross tube and 5/8" bolt package with order.



601369

**60" STABILIZER MOUNT ARMS
for 5x7, 7x7, 4x4 tool bars**

Sets stabilizer assembly 60" from tool bar. Requires cross tube and 5/8" bolt package with order.



601360

**48" STABILIZER MOUNT ARMS
for 5x7, 7x7, 4x4, 4x7 tool bars**

Sets stabilizer assembly 48" from tool bar. Requires cross tube and 5/8" bolt package with order.



601359

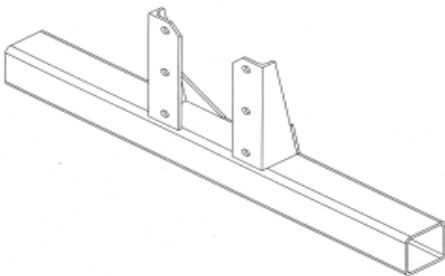
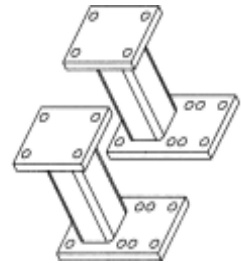
**24" STABILIZER MOUNT ARMS
for 4x4, 4x7 tool bars**

Sets stabilizer assembly 24" from tool bar. Requires cross tube and 5/8" bolt package with order.

601365

**8" STABILIZER MOUNT ARMS
for 7x7, 4x4, 4x7 tool bars**

Sets stabilizer assembly 8" from tool bar. Requires cross tube and 5/8" bolt package with order.



601561

40" CROSS TUBE

Adapts Arms to most cultivators, bedders, etc. (Order 1 with Stabilizer Arms 601354, 601369, 601360, 601359, 601365)

601562

66" CROSS TUBE

Adapts Arms to most cultivators, bedders, etc. (Order 1 with Stabilizer Arms 601354, 601369, 601360, 601359, 601365)



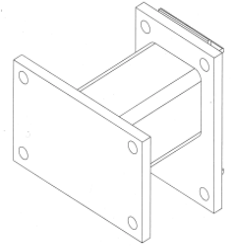
OPTIONAL EQUIPMENT (WHOLEGOODS)

STABILIZERS AND STABILIZER OPTIONS

601366

PLANTER STABILIZER MOUNT BRACKETS

Bracket mounts on planter 7x7 tool bar, allows for mounting stabilizer between planter row units for planter stabilization. Includes hardware.



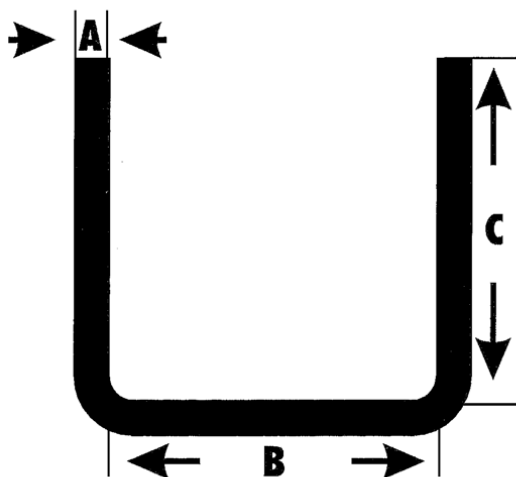
BOLT PACKAGES

(Order with Stabilizer Arms 601354, 601369, 601360, 601359, 601365)

Includes U-bolts and hardware for Mount Arms and Cross Tube

450106	5/8" U-Bolts for 5x7 tool bars
450107	5/8" U-bolts for 4x4 tool bars
450108	5/8" U-Bolts for 4x7 tool bars
450109	5/8" U-Bolts for 7x7, 7x5 tool bars

U - BOLTS



	<u>A</u>	<u>B</u>	<u>C</u>
204280	1/2	3	4 1/4 (for 3 x 3 bar)
204293	1/2	5	8 1/2 (for 5 x 7 flat bar)
204282	5/8	3	8 1/2 (for 3 x 7 bar)
204275	5/8	4	5 1/2 (for 4 x 4 bar)
204276	5/8	4	8 1/2 (for 4 x 7 flat bar)
204277	5/8	5	8 1/2 (for 5 x 7 flat bar)
204296	5/8	6	5 1/2 (for 6 x 4 bar)
204278	5/8	7	8 1/2 (for 7 x 7 bar or 7 x 5 bar)
204279	5/8	8	11 1/2 (for 8 x 10 bar)
204295	3/4	7	9 (for 7 x 7 bar)



Turning Design Into Quality Products

SUNCO MARKETING

P. O. Box 2036
North Platte, NE 69101
(308) 532-2146
Fax: (308) 534-0938

PART #250019