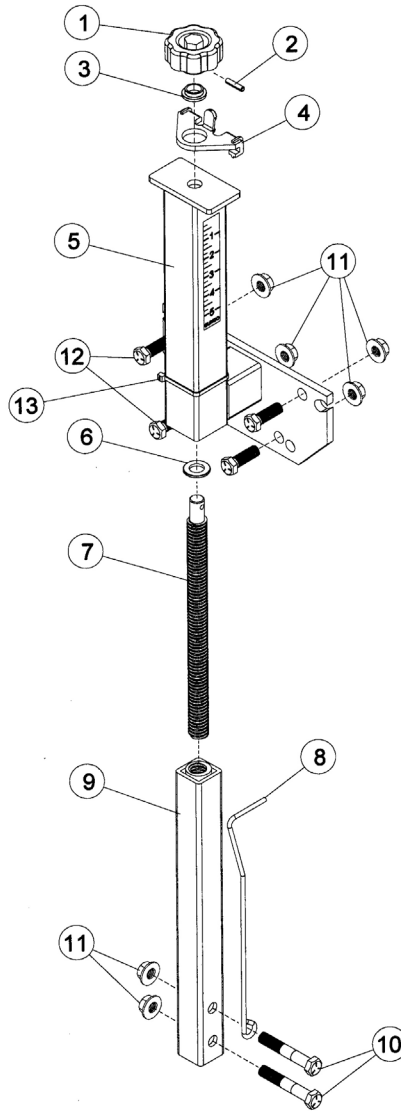


# 470212

## SABER TOOTH SCREW ADJUST UNIVERSAL MOUNT - JD 7200, 7300, 1700 Series, Kinze (except 4900 series)



ITEM	PART#	DESCRIPTION	QTY
1	360042	Knob - Screw Adjust	1
2	203247	Pin Roll 7/32 x 1	1
3	202408	Washer - Flange .64 ID x 1.075 OD	1
4	360043	Detent - Screw Adjust	1
5	470189	Mount - SaberTooth Screw Adjust Univ.	1
6	202225	Washer - Flat 17 mm x 30 mm x 3 mm	1
7	204102	Screw - ACME 7/8-6 x 12 1/2	1
8	460130	Rod - Depth Gauge - Screw Adjust	1
9	470190	Inner Tube - SaberTooth - Screw Adjust Univ.	1
10	200323	HHCS 1/2-13 x 2 3/4 Gr. 5	2
11	201119	Nut 1/2-13 Hex Flange	6
12	200324	HHCS 1/2-13 x 1 3/4 Gr. 5	4
13	213001	Cable Tie x 15	1