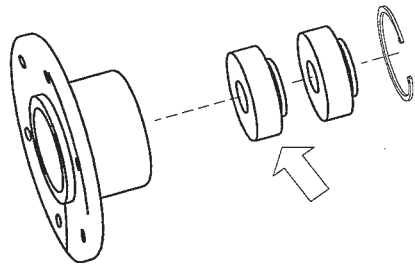


SABER TOOTH BEARING INSTALLATION

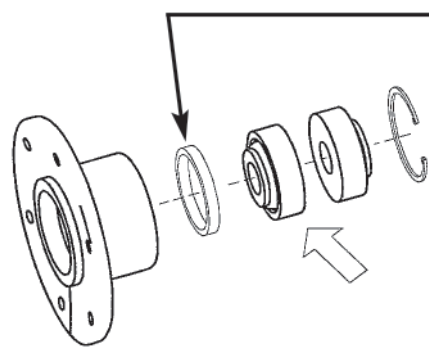
Before removing the old bearings, note their orientation in the hub.

NOTE: The hubs have a slight but significant difference in them.



210079 HUB
(Pre-2015 & 2017->)

A

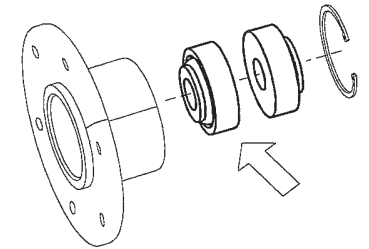


210079 HUB w/RING
(Fall 2013 -> Fall 2014)

B

This ring may or may not be present, depending on when you received your hub.

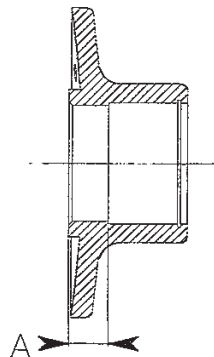
It is recommended that you remove this ring and install bearings as shown in Case "A"



210079A HUB
(Fall 2014 -> Winter 2016)

C

- NOTES:**
- 1 - Hubs are identical in Cases "A" & "B".
 - 2 - Bearings have the same orientation in Cases "B" & "C".
 - 3 - If you have Case "B", it is recommended that you discard the ring & install bearings as shown in Case "A".



DIFFERENCE IN HUBS

<u>HUB</u>	<u>"A"</u>
210079 (Cases "A" & "B")	0.44"
210079A (Case "C")	0.67"