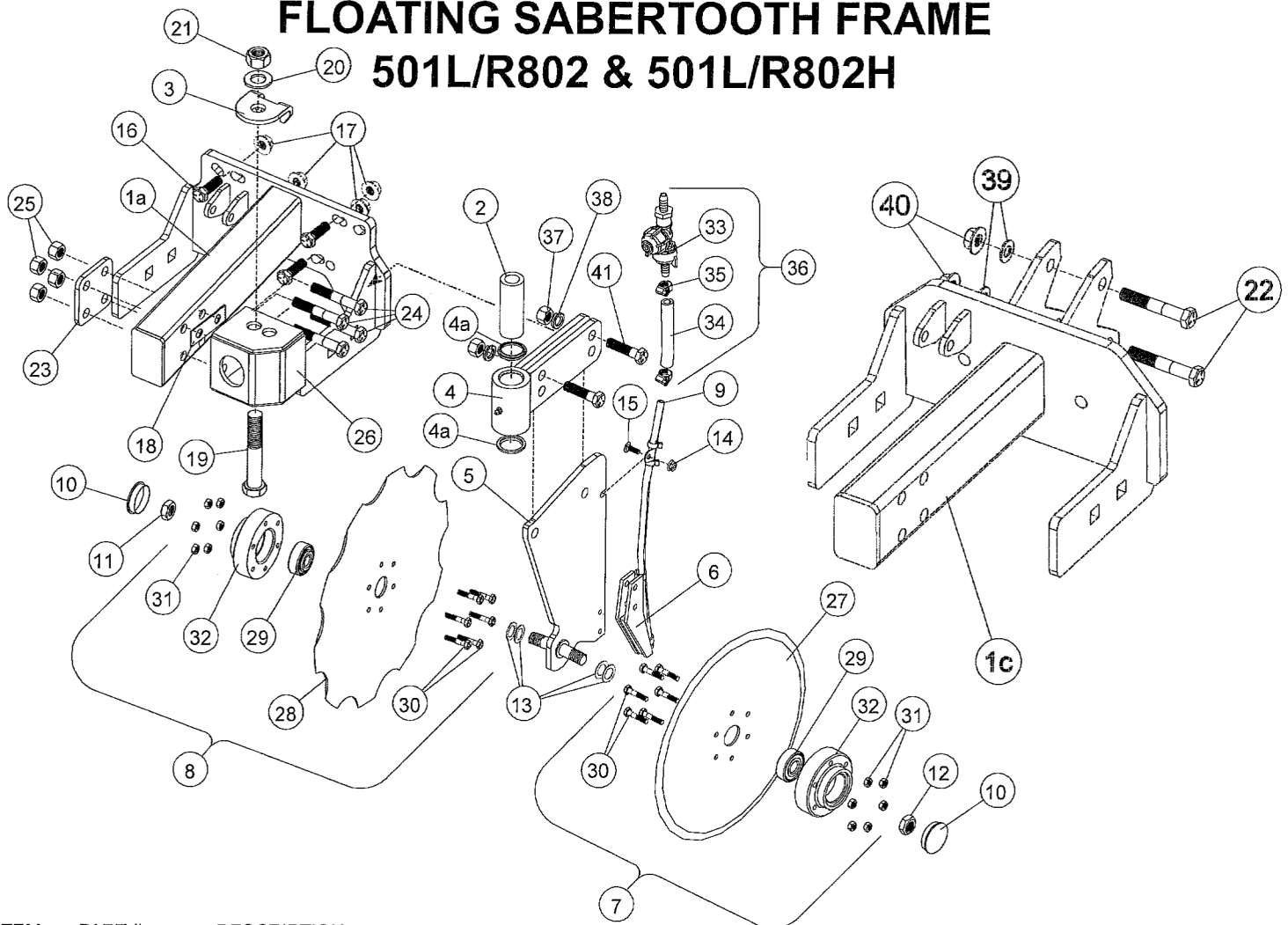


LIQUID NUTRI MATE 3 ASSEMBLY WITH FLOATING SABERTOOTH FRAME 501L/R802 & 501L/R802H



ITEM	PART #	DESCRIPTION	QTY
1a	5010561L	Frame N/M 3-Filtr. II-Univ.-LH	1
1b	5010561R	Frame N/M 3-Filtr. II-Univ.-RH (not shown)	1
1c	5010562L	Frame N/M 3-Filtr. II-CIH-LH	1
1d	5010562R	Frame N/M 3-Filtr. II-CIH-RH (not shown)	1
2	210061	Bushing-Chrome 1.25 OD x .78 ID x 3.4	1
3	360031	Stop - Pivot Arm - N/M 3	1
4	4011733G	Pivot Arm - Greaseable	1
4a	211027	Seal - Rod Wiper	2
		475257G = Items 2, 4 & 4a	
5	4012835	Standard with sloping top	1
6	3012615	Scraper Kit (Includes 2 Roll Pins)	1
7	3012605A	Disc-Bearing-Hub Assy 12"	1
	3012607	Repair Kit - 12" Disc, Bearing, Bolts	
8	3012602A	Disc-Bearing-Hub Assy 13.5" Notched	1
	3012608	Repair Kit - 13.5" Disc, Bearing, Bolts	
9	460102	Nylon Delivery Tube Assy 3/8" x 16.25"	1
	3012616	Kit- Nylon Tube & Scraper	1
10	3012102	Dust Cap	2
11	2100021	Nut 5/8 Jam Right Hand	1
12	2100022	Nut 5/8 Jam Left Hand	1
13	2100011	Washer .639 x .998 x .030	4
14	201104	Nut 1/4 Hex Flange SS	1
15	200105	Carriage Bolt 1/4 x 3/4 SS	1
16	200334	HHCS 1/2 x 1 1/2 Gr 5	4
17	201119	Nut 1/2 Hex Flange	4
18	360034	Shim 1 x 3	1
19	200410	HHCS 3/4-16 x 5 Gr 5	1
20	202220	Washer 3/4 Flat SAE Hardened	1
21	201121	Nut 3/4-16 Hex	1
22	200346	HHCS 1/2-20 x 3 1/2 Gr 8	2
23	360032	Plate - Support 3 x 3 x 1/4	1
24	200342	HHCS 1/2 x 3 1/4 Gr 5	4

ITEM	PART #	DESCRIPTION	QTY
25	201117	Nut 1/2 - Center Lock	4
26	4011735	Mount - Pivot Arm - N/M 3 - Narrow	1
27	166017	Disc Blade - 12" Smooth	1
28	166019	Disc Blade - 13.5" Notched	1
29	3012500	Bearing - 204PY3	2
30	200115	HHCS 1/4 x 1 3/8 Gr 5	12
31	201101	Nut 1/4 Hex Center Lock	12
32	3012400	Hub	2
33	212606	Diaph. Ck Vlv Assy 3/8 x 3/8 - 4PSI	1
	or 212607	Diaph. Ck Vlv Assy 3/8 x 3/8 - 5PSI	1
34	212209	Hose 3/8 x 6	1
35	220026	Clamp Hose 1/2	2
36	475258	Ball Ck Vlv - Hose - Clamps Assy	1
37	201116	Nut 1/2 Hex	2
38	202116	Washer 1/2 Split Lock	2
39	202217	Washer 1/2 SAE Flat	2
40	201130	Nut 1/2-20 Top Lock	2
41	200324	HHCS 1/2-13 X 1 3/4 Gr. 5	2
		<u>Items Not Shown</u>	
	475255L	Disc-Standard-Fert. Tube Assy-Left	1
	475255R	Disc-Standard-Fert. Tube Assy-Right	1

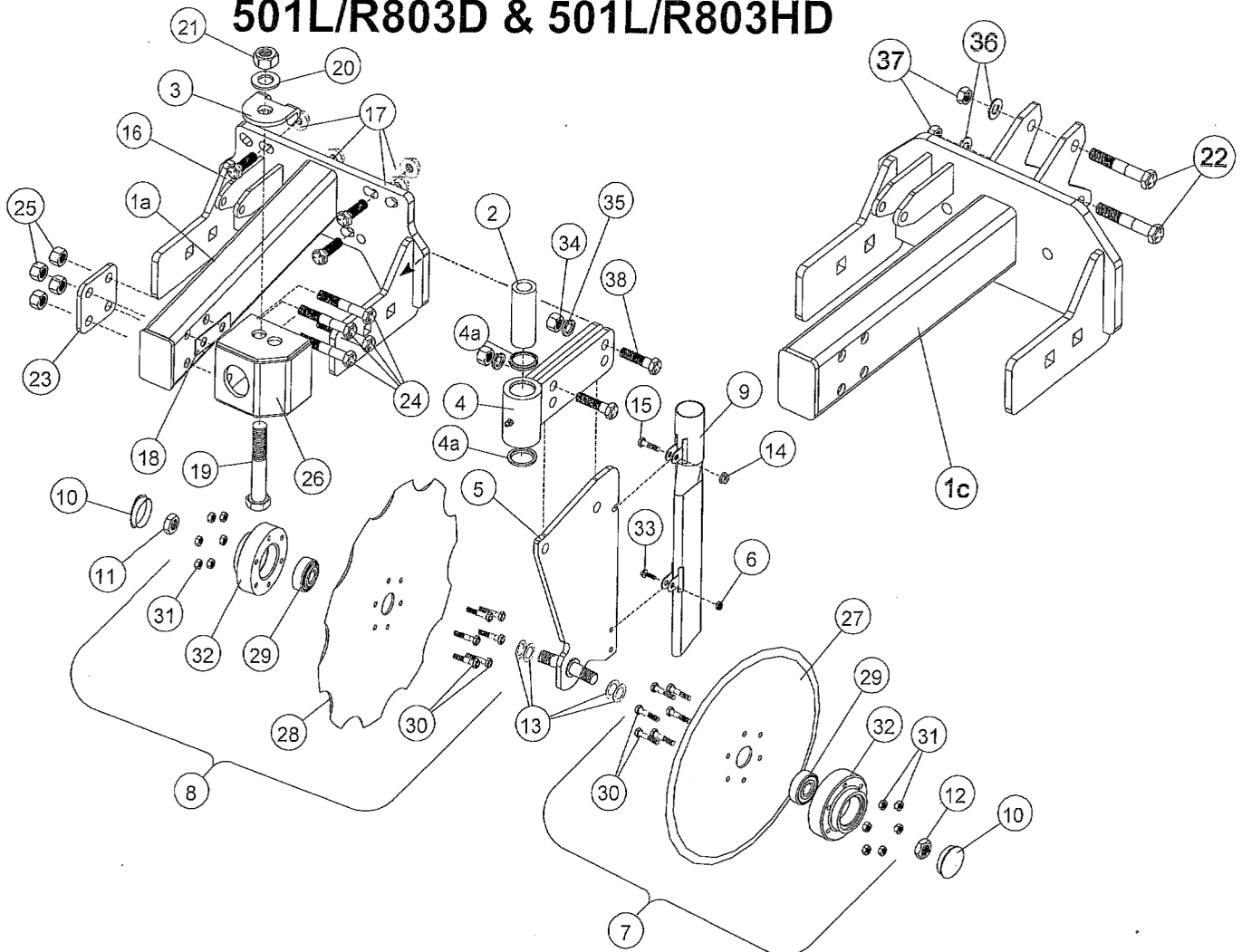
**Subassembly 3012605A Consists of: 3012500 bearing (JD #AA21480, Kinze #GA2014), 3012400 hub, 166017 blade.

***Subassembly 3012602A consists of 3012500 bearing (JD #AA21480, Kinze #GA2014), 3012400 hub, 166019 blade - notched.

Repair Kit 3012607 includes: 166017 blade, 3012500 bearing, 3012102 dust cap, 200115 bolts (6), & 201101 nuts (6).

Repair Kit 3012608 includes: 166019 blade, 3012500 bearing,

DRY NUTRI MATE 3 ASSEMBLY WITH FLOATING SABERTOOTH FRAME 501L/R803D & 501L/R803HD



ITEM	PART #	DESCRIPTION	QTY	ITEM	PART #	DESCRIPTION	QTY
1a	5010563L	Frame N/M 3-Filtr II-Univ.- Dry LH	1	20	202220	Washer 3/4 Flat SAE Hardened	1
1b	5010563R	Frame N/M 3-Filtr II-Univ.- Dry RH(not shwn)	1	21	201121	Nut 3/4-16 Hex	1
1c	5010564L	Frame N/M 3-Filtr II-CIH-Dry LH	1	22	200346	HHCS 1/2-20 x 3 1/2 Gr 8	2
1d	5010564R	Frame N/M 3-Filtr II-CIH-Dry RH (not shown)	1	23	360032	Plate - Support 3 x 3 x 1/4	1
2	210061	Bushing-Chrome 1.25 OD x .78 ID x 3.4	1	24	200342	HHCS 1/2 x 3 1/4 Gr 5	4
3	360031	Stop - Pivot Arm - N/M 3	1	25	201117	Nut 1/2 - Center Lock	4
4	4011733G	Pivot Arm - Greaseable	1	26	4011735	Mount - Pivot Arm - N/M 3 - Narrow	1
4a	211027	Seal - Rod Wiper	2	27	166017	Disc Blade - 12" Smooth	1
		475257G = Items 2, 4 & 4a		28	166019	Disc Blade - 13.5" Notched	1
5	4012835	Standard w/sloping top	1	29	3012500	Bearing - 204PY3	2
6	201091	Nut #10-24 Nylock	1	30	200115	HHCS 1/4 x 1 3/8 Gr 5	12
7	3012605A	Disc-Bearing-Hub Assy 12"	1	31	201101	Nut 1/4 Hex Center Lock	12
	3012607	Repair Kit - 12" Disc, Bearing, Bolts		32	3012400	Hub	2
8	3012602A	Disc-Bearing-Hub Assy 13.5" Notched	1	33	204012	Screw #10-24 x 5/8	1
	3012608	Repair Kit - 13.5" Disc, Bearing, Bolts		34	201116	Nut 1/2 Hex	2
9	4010153	Fertilizer Tube Dry .56 ID	1	35	202116	Washer 1/2 Split Lock	2
10	3012102	Dust Cap	2	36	202217	Washer 1/2 SAE Flat	2
11	2100021	Nut 5/8 Jam Right Hand	1	37	201130	Nut 1/2-20 Top Lock	2
12	2100022	Nut 5/8 Jam Left Hand	1	38	200324	HHCS 1/2-13 x 1 3/4 Gr. 5	2
13	2100011	Washer .639 x .998 x .030	4				
14	201104	Nut 1/4 Hex Flange SS	1	<u>Items Not Shown</u>			
15	200106	HHCS 1/4-20 x 1	1		475251LD	Disc-Standard-Fert. Tube Assy-Left-Dry	1
16	200334	HHCS 1/2 x 1 1/2 Gr 5	4		475251RD	Disc-Standard-Fert. Tube Assy-Right-Dry	1
17	201119	Nut 1/2 Hex Flange	4	**Subassembly 3012605A Consists of: 3012500 bearing (JD			
18	360034	Shim 1 x 3	4	#AA21480, Kinze #GA2014), 3012400 hub, 166017 blade.			
19	200410	HHCS 3/4-16 x 5 Gr 5	1	***Subassembly 3012602A consists of 3012500 bearing (JD			
				#AA21480, Kinze #GA2014), 3012400 hub, 166019 blade - notched.			
				Repair Kit 3012607 includes: 166017 blade, 3012500 bearing,			