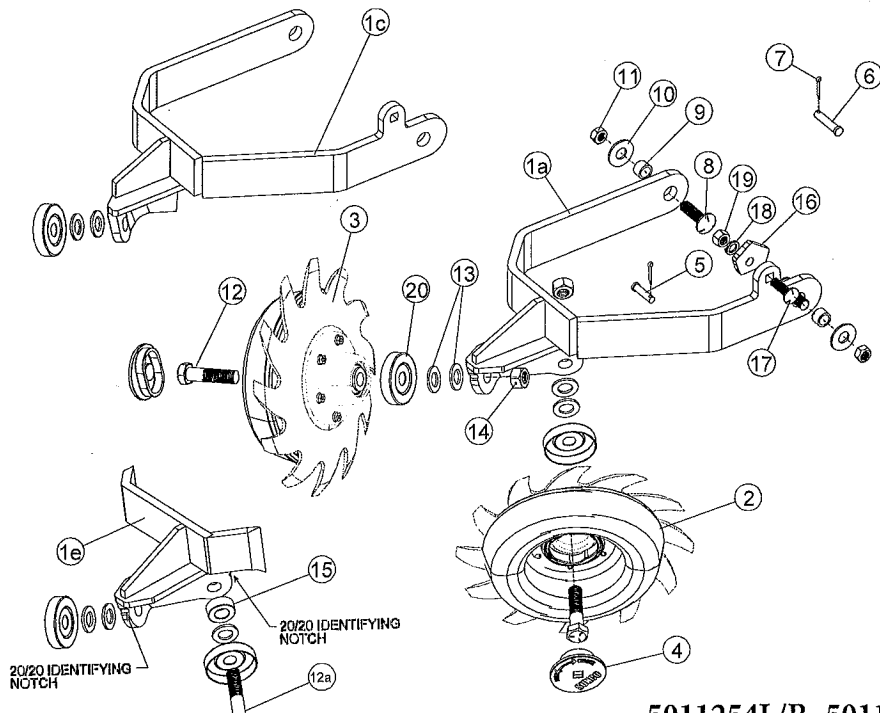


5011254L/R & 5011255L/R & 5011256L/R
KIT III
FLOATING SABER TOOTH FOR NUTRIMATE 3



ITEM	PART #	DESCRIPTION	5011254L/R 5011255L/R 5011256L/R		
			QTY	QTY	QTY
1a	471026R	Arm II - Floating S/T - N/M RH	1	0	0
1b	471026L	Arm II - Floating S/T - N/M LH (not shown)	1	0	0
1c	471027R	Arm II - Floating S/T - N/M RH 1 disc	0	1	0
1d	471027L	Arm II - Floating S/T - N/M LH 1 disc (not shown)	0	1	0
1e	471028R	Arm II - Floating S/T - 20/20 RH	0	0	1
1f	471028L	Arm II - Floating S/T - 20/20 LH (not shown)	0	0	1
2	3012618L	Disc-Hub-Brg-Depth Band Assy LH	1	1	1
3	3012618R	Disc-Hub-Brg-Depth Band Assy RH	1	1	1
4	370132	Cap Depth Band	2	1	2
5	203747	Pin Clevis 3/8 x 1 1/4 Pltd	1	1	1
6	203760	Pin Clevis 7/16 x 2 Pltd	1	1	1
7	203480	Pin Cotter 9/64 x 1	2	2	2
8	200456	Carriage Bolt 5/8-11 x 2 Gr. 5	2	2	2
9	380110	Bushing .875 x .650 x .563	2	2	2
10	202218	Washer 5/8 Flat	2	2	2
11	201142	Nut 5/8-11 Top Lock	2	2	2
12	200406	HHCS 3/4-10 x 3 1/2 Gr. 5	2	1	1
12a	200407	HHCS 3/4-10 x 4 Gr. 5	0	0	1
13	202220	Washer 3/4 Flat SAE	4	2	3
14	201152	Nut 3/4-10 Hex Center Lock	2	1	2
15	360045	Spacer 1.56 OD x .82 ID x .63	0	0	1
16	360064	Cam - 9 lobe	1	1	1
17	200321	Carriage Bolt 1/2-13 x 1 1/2 Gr. 5	1	1	1
18	202116	Washer 1/2 Split Lock	1	1	1
19	201116	Nut Hex 1/2-13	1	1	1
20	360062	Bearing Shield 2.91 x .76	2	1	2