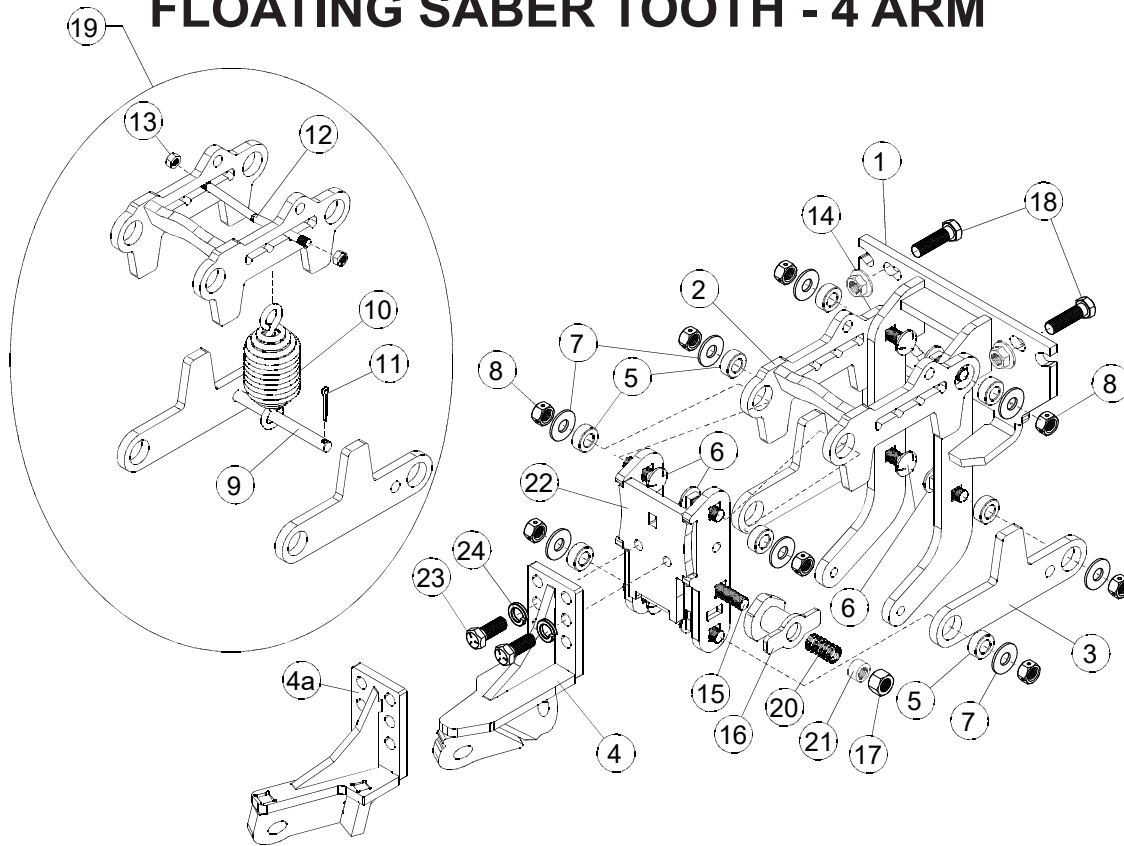


# 470272SL/R (1 DISC) & 470271SL/R (20/20) LINKAGE ASSY WITH SPRING DOWN PRESSURE FLOATING SABER TOOTH - 4 ARM



Item	Part #	Description	Qty
1	460202	Mount P/F Universal	1
2	460204	Link Arm Wldmt - Upper	1
3	360077	Link Arm Lower - Compact	2
4	471098L	Foot Piece Depth Adj. - 20/20 LH	1
	471098R	Foot Piece Depth Adj. - 20/20 RH (not shown)	1
4a	471100L	Foot Piece Depth Adj. - 1 Disc LH	1
	471100R	Foot Piece Depth Adj. - 1 Disc RH (not shown)	1
5	380112	Bushing 1 OD x .15 ID x .425	8
6	200321	Carriage Bolt 1/2-13 x 1 1/2 Gr. 5	8
7	202214H	Washer 7/16 Flat Hardened	8
8	201117	Nut 1/2-13 Hex Center Lock	8
9	203767	Pin Clevis 7/16 x 5	1
10	204308	Spring Ext. w/Swivel Eyes - Heavy Duty	1
11	203480	Pin Cotter 9/64 x 1	1
12	203101	Pin Vee 5/16 x 5.62	1
13	201133	Nut 5/16-18 Top Lock	2
14	201119	Nut 1/2-13 Hex Flange Locking	4
15	200352	Carriage Bolt 1/2-13 x 2 3/4	1
16	471091L	Cam - Quick Adjust - 4 Arm LH	1
	471091R	Cam - Quick Adjust - 4 Arm RH (not shown)	1
17	201116	Nut 1/2-13 Hex	1
18	200334	HHCS 1/2-13 x 1 1/2 Gr. 5	4
19	470263	Kit Spring II - 4 Arm (Items 9, 10, 11, 12 & 13)	1
20	204313	Spring Compression .72 OD x 1.25	1
21	380104	Bushing 1/2-13 x .42	1
22	471099	Frnt Linkage Depth Adj Foot Piece - P/F	1
23	200330	HHCS 1/2-13 x 1 1/4 Gr. 5	2
24	202116	Washer 1/2 Split Lock	2