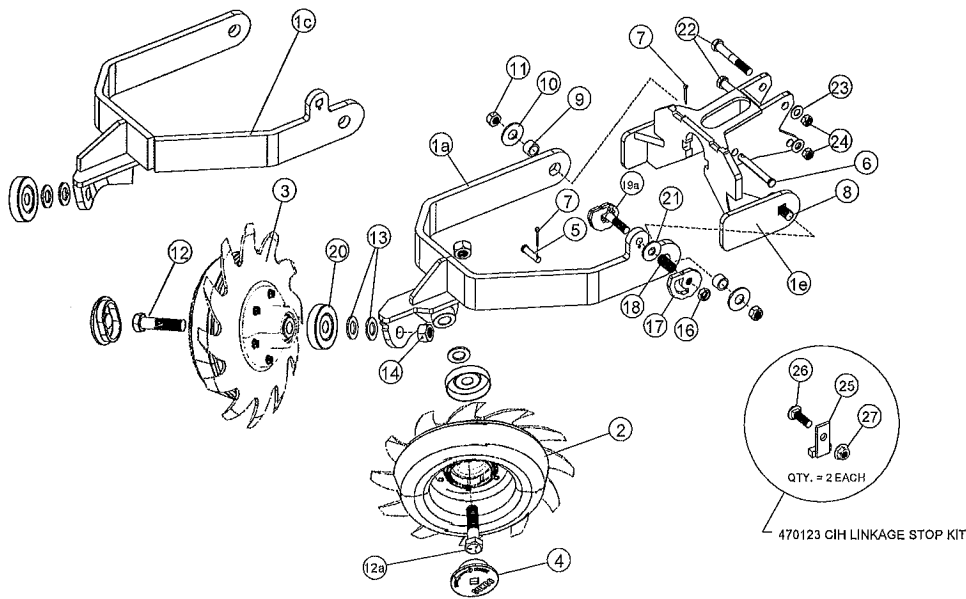


5011299L/R & 5011300L/R CASE IH KIT III - FLOATING SABER TOOTH



ITEM	PART #	DESCRIPTION	CIH 20/20	CIH 1 DISC
			5011299L/R	5011300L/R
			QTY	QTY
1a	471089R	Arm II - Floating S/T - 20/20 Compact RH	1	0
1b	471089L	Arm II - Floating S/T - 20/20 Compact LH (not shown)	1	0
1c	471027R	Arm II - Floating S/T - N/M RH 1 disc	0	1
1d	471027L	Arm II - Floating S/T - N/M LH 1 disc (not shown)	0	1
1e	471050A	Mount - C/F - CIH Compact 2	1	1
2	3012622L	Disc-Hub-Brg-Depth Band Assy LH	1	1
3	3012622R	Disc-Hub-Brg-Depth Band Assy RH	1	1
4	370132	Cap Depth Band	2	1
5	203747	Pin Clevis 3/8 x 1 1/4 Pltd	1	1
6	203763	Pin Clevis 7/16 x 3 1/2	1	1
7	203480	Pin Cotter 9/64 x 1	2	2
8	200456	Carriage Bolt 5/8-11 x 2 Gr. 5	2	2
9	380110	Bushing .875 x .650 x .563	2	2
10	202218	Washer 5/8 Flat	2	2
11	201142	Nut 5/8-11 Top Lock	2	2
12	200406	HHCS 3/4-10 x 3 1/2 Gr. 5	1	1
12a	200407	HHCS 3/4-10 x 4 Gr. 5	1	0
13	202220	Washer 3/4 Flat SAE	3	2
14	201152	Nut 3/4-10 Hex Center Lock	2	1
16	201139	Nut 1/2-13 Jam	1	1
17	360081	Handle Quick Adjust Cam	1	1
18	204313	Spring	1	1
19a	471090R	Cam Quick Adjust RH	1	1
19b	471090L	Cam Quick Adjust LH (not shown)	1	1
20	360062	Bearing Shield 2.91 x .76	2	1
21	202216	Washer 1/2 Flat	1	1
22	200346	HHCS 1/2-20 x 3 1/2 Gr. 8	2	2
23	202217	Washer 1/2 SAE Hardened	2	2
24	201130	Nut 1/2-20 Top Lock	2	2
25	470101H	Linkage Stop 7/16	2	2
26	200332	Carriage Bolt 1/2-13 x 1 1/4 Gr. 5	2	2
27	201119	Nut 1/2-13 Hex Flange	2	2