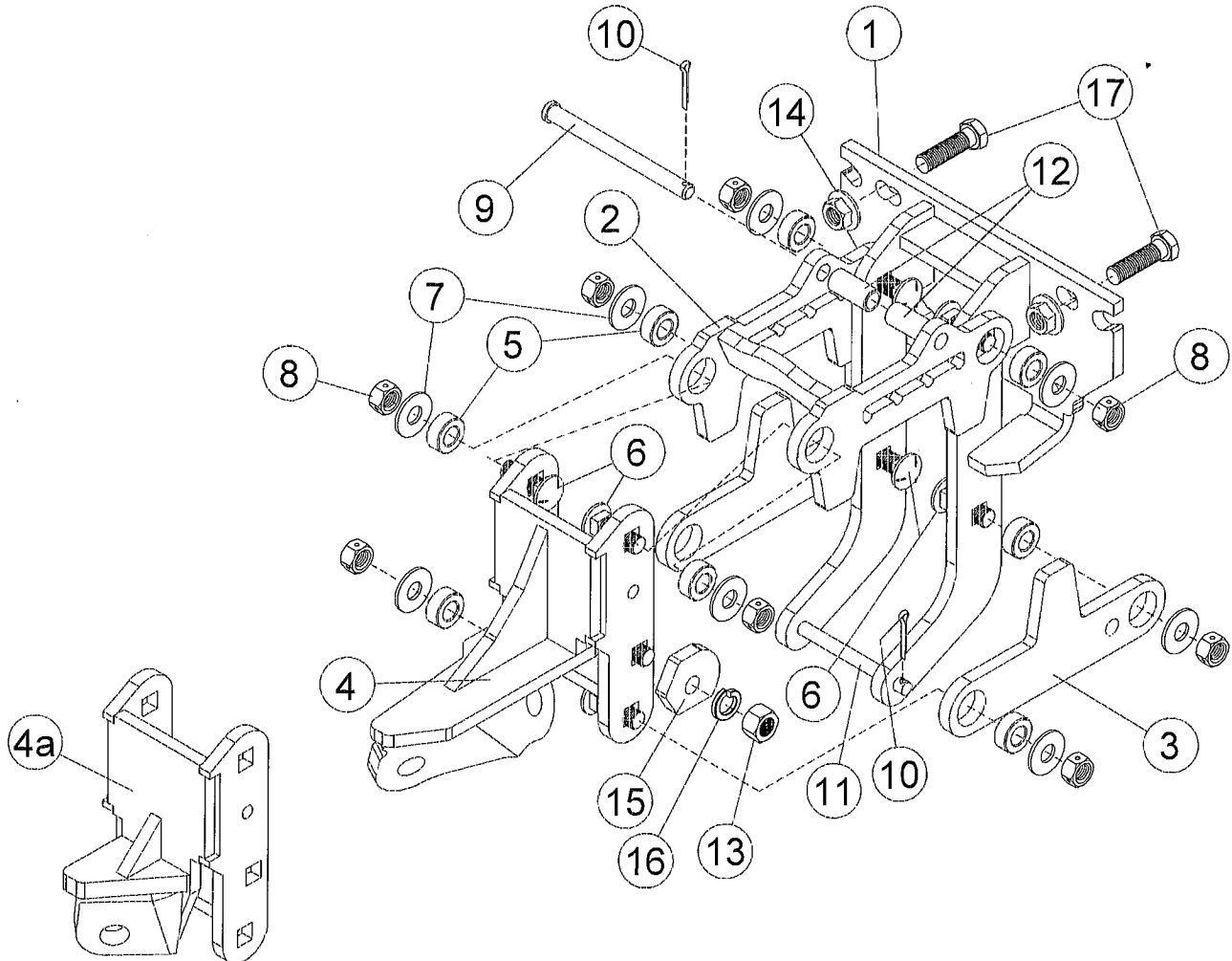


470261L/R (1 DISC) & 470262L/R (20/20) LINKAGE ASSY WITH CLEAN SWEEP® READY FLOATING SABER TOOTH - 4 ARM



Item	Part #	Description	Qty
1	460202	Mount P/F Universal	1
2	460204	Link Arm Wldmt - Upper	1
3	360077	Link Arm Lower Compact P/F - 4 Arm	2
4	471067L	Front Linkage Wldmt - 20/20 LH	1
	471067R	Front Linkage Wldmt 20/20 RH (not shown)	1
4a	471064L	Front Linkage Wldmt - 1 Disc LH	1
	471064R	Front Linkage Wldmt - 1 Disc RH (not shown)	1
5	380112	Bushing 1 OD x .15 ID x .425	8
6	200321	Carriage Bolt 1/2-13 x 1 1/2 Gr. 5	9
7	202214H	Washer 7/16 Flat Hardened	8
8	201117	Nut 1/2-13 Hex Center Lock	8
9	203767	Pin Clevis 7/16 x 5	1
10	203480	Pin Cotter 9/64 x 1	2
11	203756	Pin Clevis 3/8 x 4.3	1
12	360058	Spacer .625 x .459 x 1.53	2
13	201116	Nut 1/2-13 Hex	1
14	201119	Nut 1/2-13 Hex Flange Locking	4
15	360076	Cam 5 Lobe	1
16	202116	Washer 1/2 Split Lock	1
17	200334	HHCS 1/2-13 X 1 1/2 Gr. 5	4