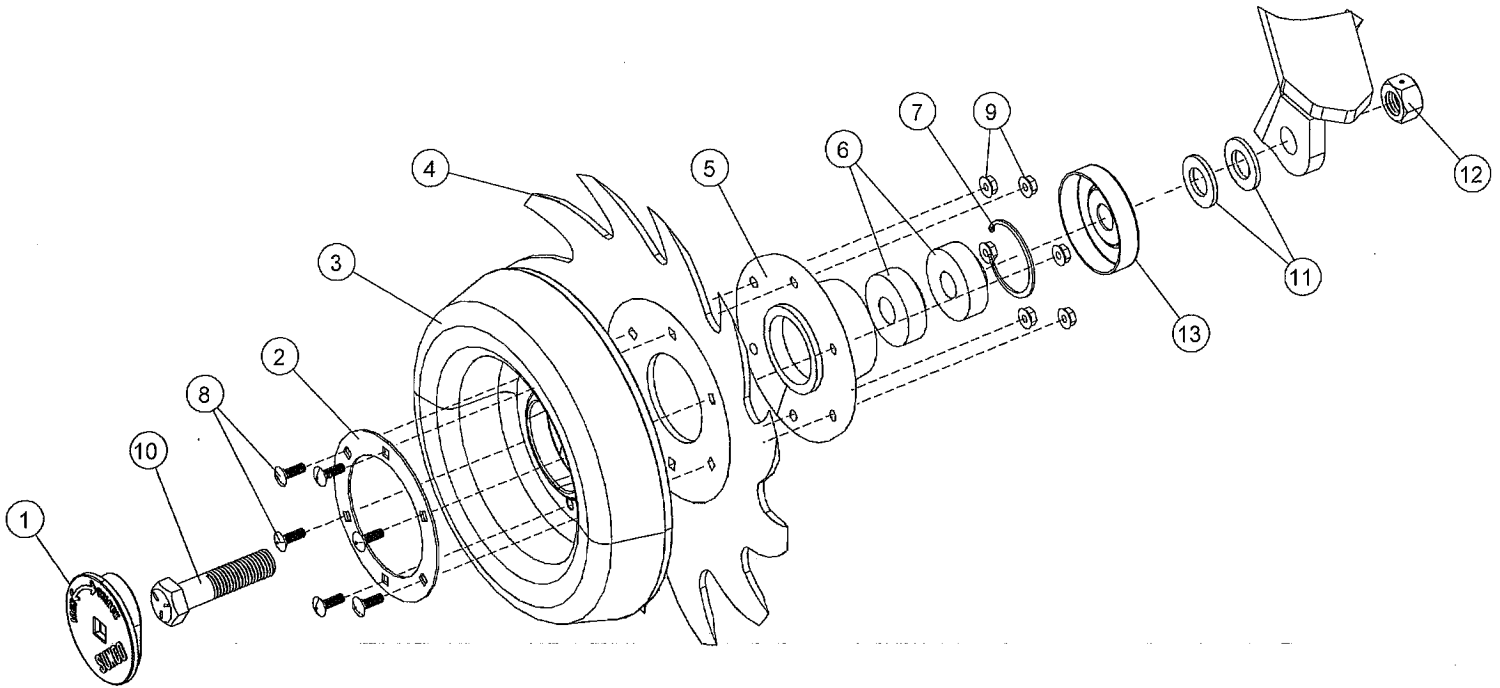


# 3012618L/R

## SABER TOOTH DISCS WITH DEPTH BANDS

(Not included with 3012618L/R are items 1, 10, 11, 12 & 13)



ITEM	PART#	DESCRIPTION	QTY
1	370132	CAP - DEPTH BAND	1
2	360049	RING - DEPTH BAND	1
3	370131	DEPTH BAND 10 DIA. X 2 (Specify USA or Argentina blades)	1
4	166015	DISC BLADE - 13" SABER TOOTH LH (NOT SHOWN)	1
	166016	DISC BLADE - 13" SABER TOOTH RH (SHOWN)	1
5	470417	HUB KIT (Includes items 6, 7, 8 & 9)	1
6	210030BB	BEARING 2 X .75	2
7	204385	SNAP RING X 2 INTERNAL	1
8	200118	CARRIAGE BOLT 1/4-20 X 1 3/8	6
9	201108	NUT 1/4-20 HEX FLANGE	6
10	200406	HHCS 3/4-10 X 3 1/2	1
11	202220	WASHER 3/4 FLAT SAE HARDENED	2
12	201152	NUT 3/4-10 HEX CENTER LOCK	1
13	360062	BEARING SHIELD 2.91 X .76	1
	470312	Kit - Bearing Shield (Items 10, 11 & 13) 1 per row	