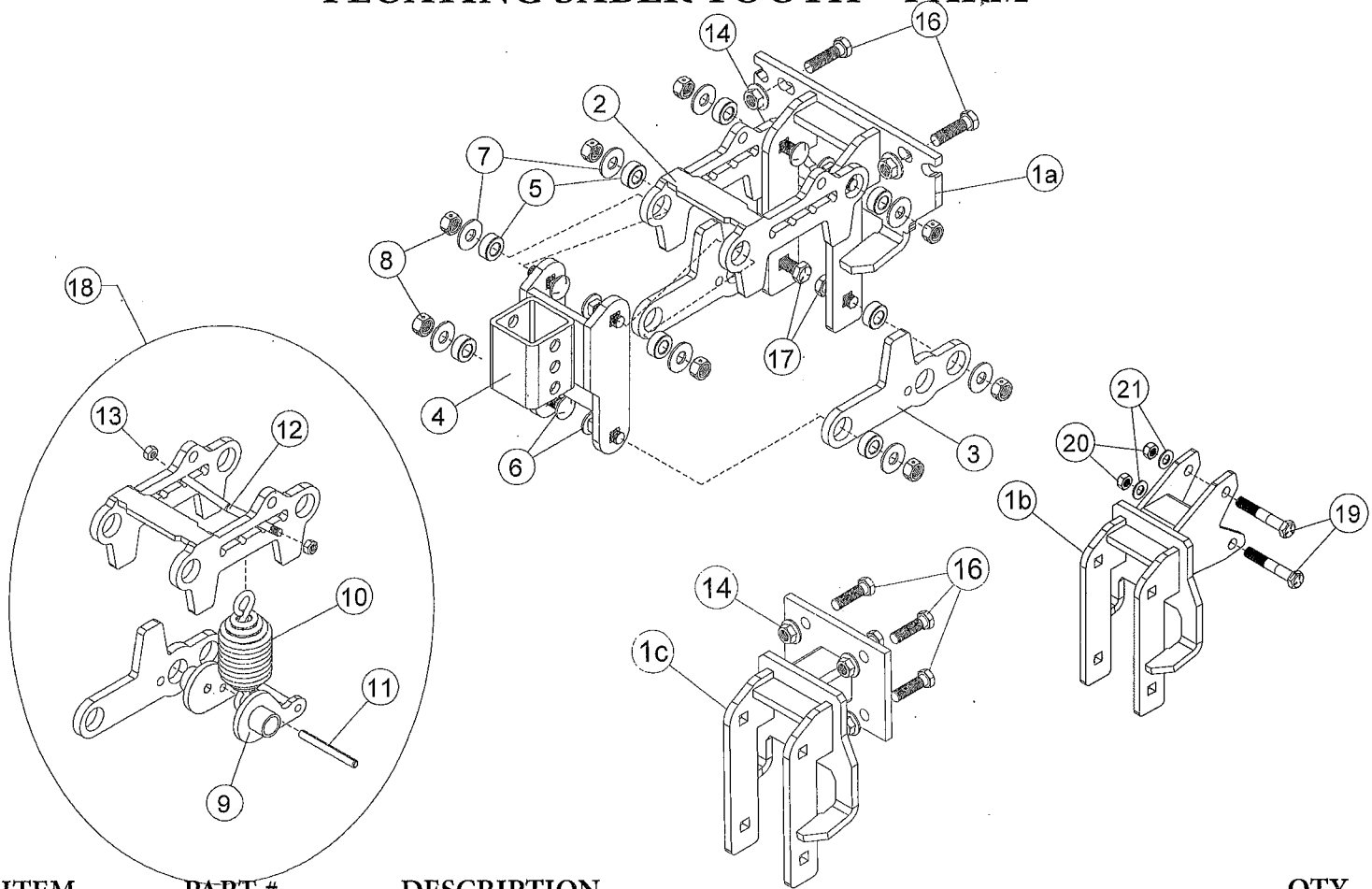


470231S (UNIVERSAL) & 470232S (CIH) & 470237S (GP) LINKAGE ASSEMBLY WITH SPRING DOWN PRESSURE FLOATING SABER TOOTH - 4 ARM



ITEM	PART #	DESCRIPTION	QTY
1a	460202S	Mount - P/F Universal - Spring	1
1b	460202SH	Mount - P/F CIH - Spring	1
1c	460202SGP	Mount - P/F GP - Spring	1
2	460204	Link Arm Wldmt Upper	1
3	360056	Link Arm Lower	2
4	460203	Receiver Tube Wldmt	1
5	380112	Bushing 1 OD x .515 ID x .425	8
6	200321	Carriage Bolt 1/2-13 x 1 1/2 Gr. 5	6
7	202214H	Washer 7/16 Flat	8
8	201117	Nut 1/2-13 Hex Center Lock	8
9	471020	Spring Tensioner-P/F - 4 Arm	1
10	204308	Spring Ext. w/Swivel Eyes - Heavy Duty	1
11	203260	Pin Roll 5/16 x 3	1
12	203101	Pin Vee 5/16 x 5.6	1
13	201133	Nut 5/16-18 Top Lock	2
14	201119	Nut 1/2-13 Hex Flange Locking	4
15	200340	HHCS 1/2-13 x 3a1/2 Gr. 5	2
16	200324	HHCS 1/2-13 x 1 3/4 Gr. 5	4
17	200334	HHCS 1/2-13 x 1 1/2 Gr. 5	2
18	470234	Kit Spring P/F - 4 Arm (Items 9-13)	1
19	200346	HHCS 1/2-20 x 3 1/2 Gr. 8	2
20	201130	Nut 1/2-20 Top Lock	2
21	202217	Washer 1/2 Flat SAE	2